

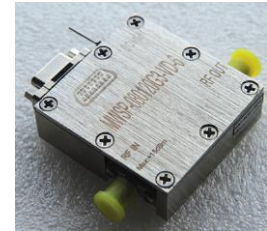
数控移相器

MWSP-040080G3-VD-6

50 Ω 相位 360° 4GHz to 8GHz

Features

- wideband, 4 ~ 8 GHz
- Low Insertion Loss: 6 dB
- Control DC-13V
- 360° Coverage,



Typical Applications

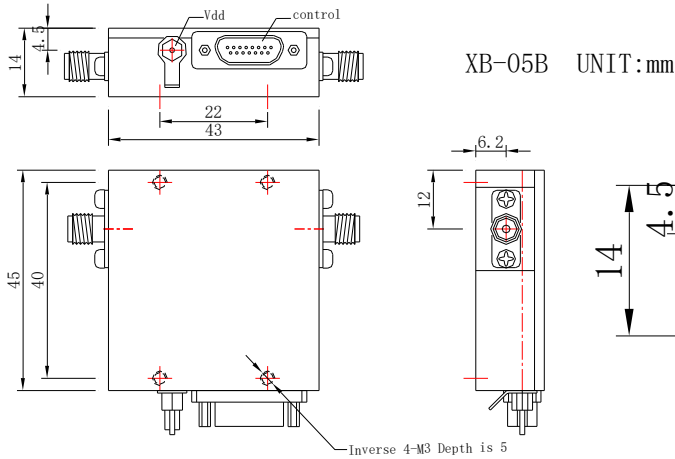
- EW Receivers
- Military Radar
- Test Equipment
- Satellite Communications
- Beam Forming Modules

Electrical Specifications

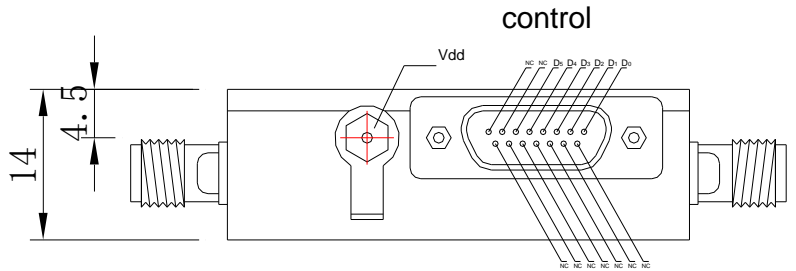
TA=+25°C Vc=0~13V 50 Ohm System

Parameter	State	Min.	Typ.	Max.	Units
Frequency Range		4	-	8	GHz
Insertion Loss*	at all wideband frequency	-	6.0	-	dB
Input Return Loss*	at all wideband frequency	-	2.5	3.0	dB
Output Return Loss*	at all wideband frequency	-	2.5	3.0	dB
Phase Error*	At all wideband frequency	-	+/- 2.0	+15/-5.0	deg
RMS Phase Error		-		5.0	deg
Input Power for 1 dB Compression			10		dBm
Control Voltage		0	-	13	V

Outline Drawing



Control Drawing



Absolute Maximum Ratings

Operating Temperature	-20°C to 70°C
Storage Temperature	-55°C to 100°C
Control Voltage Range (Vc)	15.0 V
Input Power (RFI N)	15 dBm

Control Voltage

State	Voltage
Low(0)	0 to +0.5V
High(1)	+3 to +5V(Note 5)

Note 5 : 内置上拉电阻 (约500 kΩ) , 悬空时代表High

Permanent damage may occur if any of these limits are exceeded.

Truth Table

Control Voltage Input						Phase Shift (Degrees) RFIN - RFout
D5	D4	D3	D2	D1	D0	
1	1	1	1	1	1	Reference*
1	1	1	1	1	0	5.625
1	1	1	1	0	1	11.25
1	1	1	0	1	1	22.5
1	1	0	1	1	1	45.0
1	0	1	1	1	1	90.0
0	1	1	1	1	1	180.0
0	0	0	0	0	0	354.375