

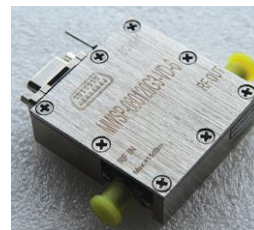
数控移相器

MWSP-170250M3-VD-6

50 Ω 相位 360° 170MHz to 250MHz

Features

- wideband, 170M~250MHz
- Low Insertion Loss: 5.0 dB
- Control 6 Bit
- 360° Coverage,



Typical Applications

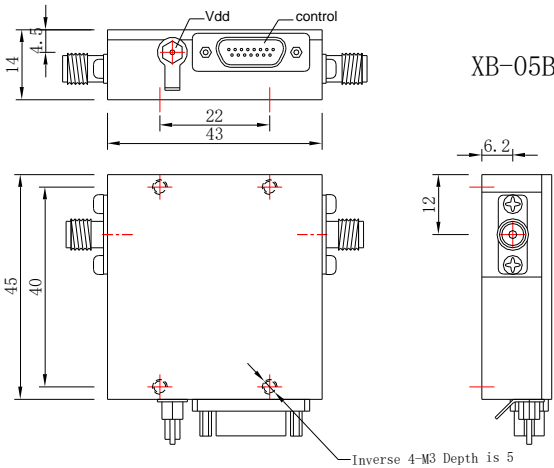
- EW Receivers
- Weather & Military Radar
- Satellite Communications
- Beamforming Modules
- Phase Cancellation

Electrical Specifications

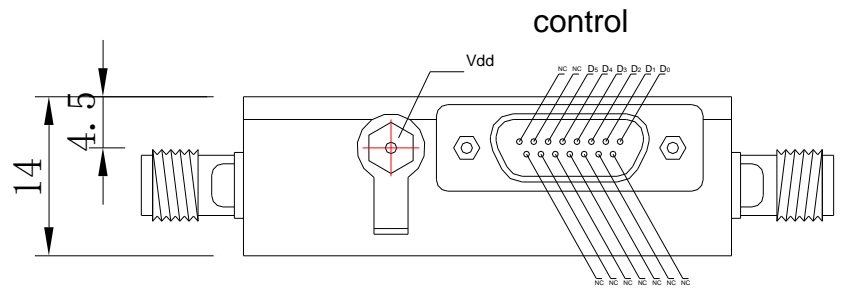
TA=+25°C Vdd=+12V Vc=0/+5V 50 Ohm System

Parameter	State	Min.	Typ.	Max.	Units
Frequency Range		170	-	250	MHz
Insertion Loss*	at all wideband frequency	-	5.0	-	dB
Input Return Loss*	at all wideband frequency	-	2.5	3.0	dB
Output Return Loss*	at all wideband frequency	-	2.5	3.0	dB
Phase Error*	At all wideband frequency	-	+/- 5.0	+20/-5.0	deg
RMS Phase Error		-		5.0	deg
Input Power for 1 dB Compression			10		dBm
Control Voltage		0	-	15	V

Outline Drawing



Control Drawing



Absolute Maximum Ratings

Operating Temperature	-40°C to 70°C
Storage Temperature	-55°C to 100°C
Bias Voltage Range (Vdd)	15V
Control Voltage Range (Vc)	5.0 V
Input Power (RFIN)	23 dBm

Permanent damage may occur if any of these limits are exceeded.

Control Voltage

State	Voltage
Low(0)	0 to +0.5V
High(1)	+3 to +5V(Note 5)

Note 5 : 内置上拉电阻 (约500 kΩ) , 悬空时代表High

Truth Table

Control Voltage Input						Phase Shift (Degrees) RFIN - RFout
D5	D4	D3	D2	D1	D0	
1	1	1	1	1	1	Reference*
1	1	1	1	1	0	5.625
1	1	1	1	0	1	11.25
1	1	1	0	1	1	22.5
1	1	0	1	1	1	45.0
1	0	1	1	1	1	90.0
0	1	1	1	1	1	180.0
0	0	0	0	0	0	354.375